

# HEAT EXCHANGERS



ELTOP PRAHA s.r.o.



Special heat exchangers designed for central heating in trolleybuses and other means of transport. Whole assembly features protection class II and meets strict requirements imposed to components intended for road and rail transport vehicles. Tens of types are available in various arrangements according to requirements of manufactures of mobile means.



## Field of applications

- Trolleybuses and other means of transport

## Advantages

- High power and efficiency
- Compact outer dimensions
- Robust and strong construction
- High quality materials - stainless steels
- Long lifetime
- Dimensions can be adjusted acc. to requirements

## Product range examples



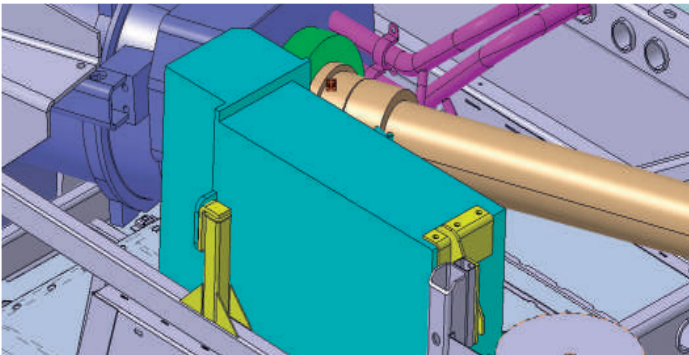
# HEAT EXCHANGERS

## Main technical parameters

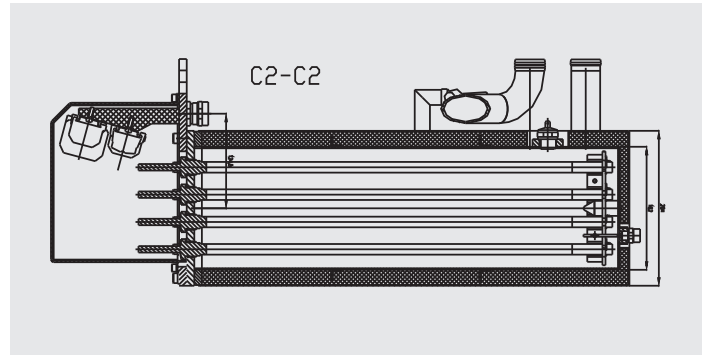
Nominal voltage	400 - 900 V DC
Nominal power	29 - 40 kW
Heated medium temperature	- 30 °C up to +95 °C
Surroundings temperature	- 30 °C up to +50 °C
Cartridge heaters quantity	24 - 36 pcs
Cartridge heaters insulation	double
Class protection of exchanger	II

Test voltage of I. insulation	2 500V 50Hz or 3 600V 50Hz
Test voltage of II. insulation	3 600V 50Hz or 2 000V 50Hz
Degree of protection	IP 65
Box material	AISI 304
Cartridge sheath material	AISI 304
Weight	40 - 70 kg
Standard dimensions	up to 220 x 700 x 600mm

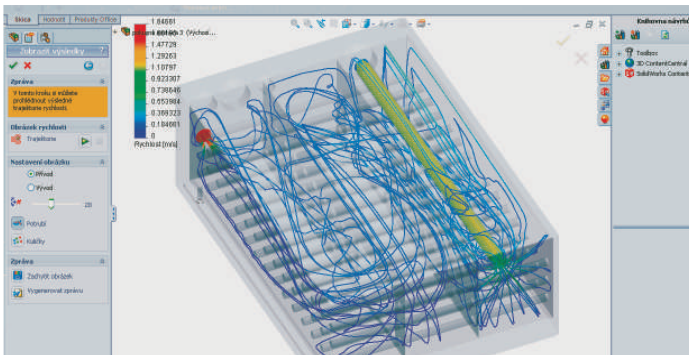
## Quality in production process



Exact information about client requirements



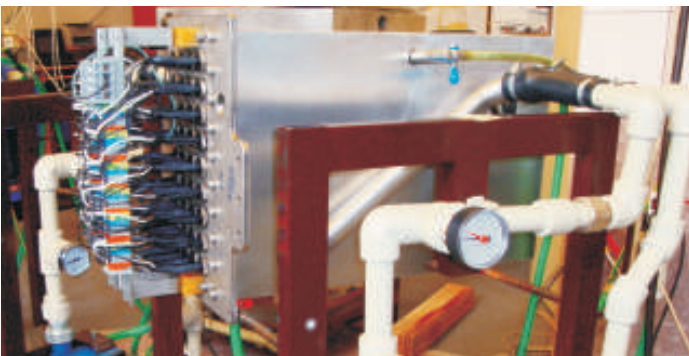
Time - tested design



Functionality simulation



Precise assembly



Testing in production



Testing in operation